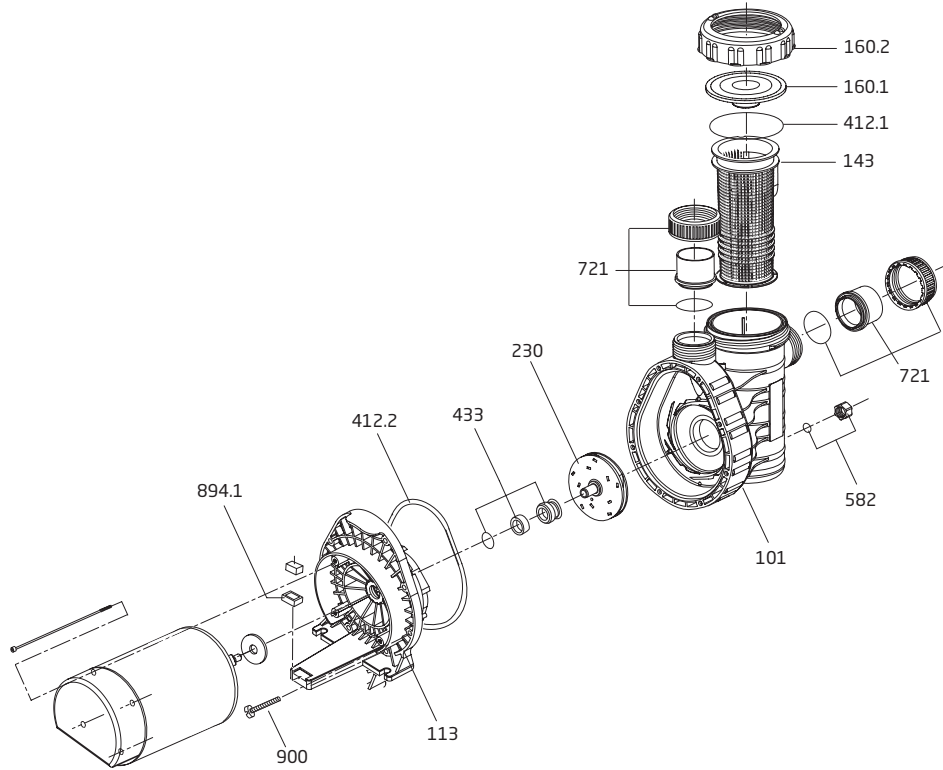


Model A91 Series

Self-Priming Swimming Pool Pump



Models: A91(R), A91, A91-I, A91 -II & A91-II VSP



Order#	Drawing #	Qty Required	Description
2901316020	160.2	1	Lid - Lock Ring
2901316010	160.1	1	Lid - Clear
2901341220	412.1	1	O-ring - Lid 105 x 5mm
2901314300	143	1	Basket
2901310101	101	1	Casing
2901158200	582	1	Drain Cap 3/8" w/ Gasket
2921623131	230	1	Impeller (A91R)
2921623895	230	1	Impeller (A91)
2921623898	230	1	Impeller (-I)
2921623098	230	1	Impeller (-II)
2921623047	230	1	Impeller (-II VSP)
2921606204	433	1	Mechanical Seal (5/8") - Carbon/ Ceramic

Order#	Drawing #	Qty Required	Description
2921641223	412.2	1	O-ring - Casing 165 x 6mm
2991000091	900	8	Screw - Casing M7 x 48mm
2920889410	894.1	1	Lego Spacer
2901316101	113	1	Flange/Seal Housing
2500300916	721	1	Union Package CPL - Slip
2500300913	721	1	Union Package CPL - NPT
2500300909	721	2	Half Union Set - NPT
2500300910	721	2	Half Union Set - Slip

Go Kits For The A91

Order#	Drawing #	Qty Required	Description
SPK-A91-GOKIT	Not Shown	1	Seal GoKit*

* Please Note: That the Seal Go Kits includes the following items: Mechanical Seal (5/8"), & O-rings.