

# Model E71

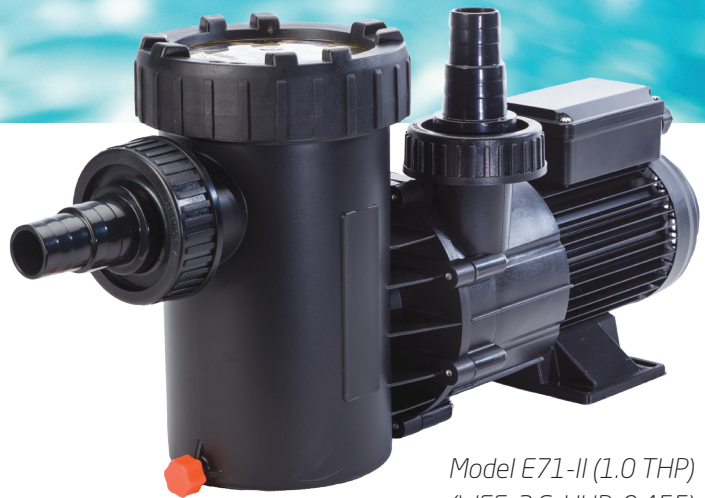
Single Speed Pumps

**SPECK** X  
pumps



The final word on above-ground pump design. Dual discharge ports allow for easy conversion from cartridge to sand, while an oversized in-ground style basket allows for minimal maintenance.

- Dual Discharge Ports
- Speck Proprietary Single Speed TEFC Motor
- 200 Seal for Easy Service



Model E71-II (1.0 THP)  
(WEF: 3.6, HHP: 0.455)



Proudly Assembled  
in the USA

**WE BRING WATER TO LIFE!**

8125 Bayberry Road  
Jacksonville, FL 32256 USA  
info.usa@speck-pumps.com

Toll Free 800.223.8538  
Telephone 904.739.2626  
usa.speck-pumps.com

# Model E71

## Above-Ground Single Speed Swimming Pool Pump

The final word on above-ground pump design. Dual discharge ports allow for easy conversion from cartridge to sand, while an oversized in-ground style basket allows for minimal maintenance.



Model E71-II

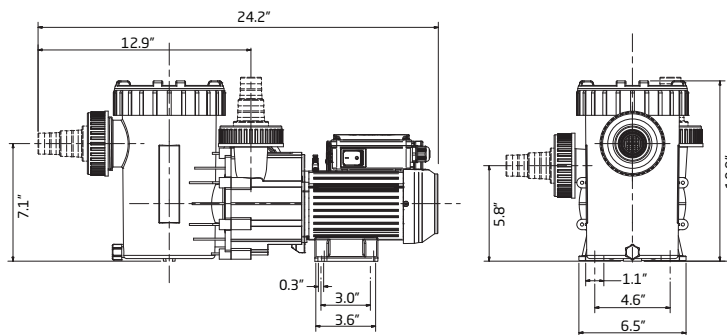
### Features

- This high performance, medium head pump comes complete with an industry standard 200 seal for convenient replacement.
- Switch effortlessly from sand to cartridge with our patented dual discharge ports.
- Suction and discharge ports are equipped with hose adaptors and 1.5" NPT. ( Also available with 1.5" Slip quick disconnect unions)
- Specially constructed clear lid with ring lock design is easy to open. Large keyed strainer basket is always locked in place.
- TEFC motor built at our own facility, for total control over durability, quality and cost.
- Pump has a standard 3 ft. 3/12 AWG cord set pre-mounted. A variety of other cord sets are available.
- Every pump is performance wet-tested before leaving the Speck factory.

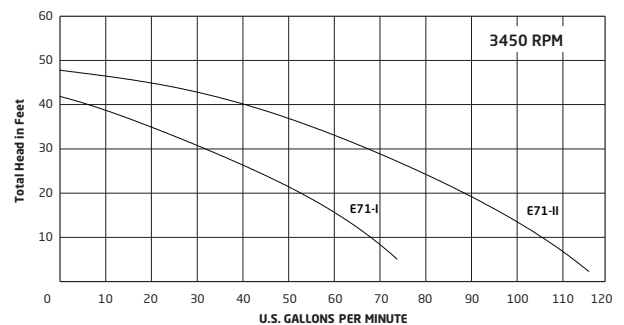
### Trademarks and Certifications



### Dimensional Drawing



### Performance Curves



### Part Numbers

#### Single Speed (TEFC Motor) - w/ 3' Standard Cord

Order #	Model #	THP	WEF	HHP	Volts	Amps	Speed	Weight* lbs
AG192-1075T-OST	E71-I	0.75	5.0	0.253	115	7.0	single	25
AG192-1100T-OST	E71-II	1.0	3.6	0.455	115	9.5	single	25

#### Single Speed (TEFC Motor) - w/ Twist Lock Cord

Order #	Model #	THP	WEF	HHP	Volts	Amps	Speed	Weight* lbs
AG192-1075T-OTL	E71-I	0.75	5.0	0.253	115	7.0	single	25
AG192-1100T-OTL	E71-II	1.0	3.6	0.455	115	9.5	single	25